

Parts Required

This kit, p/n 0351-1120-01, provides components, software, and instructions for installing a Token Ring LAN adapter in a POS/EM Value system.

Description	Qty.	Part No.
Token Ring Adapter, Intel, with driver software	1	2025-0258-01
Token Ring Option installation diskette	1	0701-2317-0100
Installation instructions (this document)	1	8000-1384-01

The software diskettes used in this installation contain licensed materials from Sensormatic Electronics Corporation and Intel Corporation.

Installing the Network Adapter Card



WARNING - SHOCK HAZARD

Disconnect the POS/EM Value System's AC power before starting to install this equipment. Failure to do so could shock you and may damage the computer or the adapter card.



WARNING - STATIC SENSITIVE COMPONENTS

Follow proper handling procedures to prevent component failure.

1. Turn off the POS/EM Value host computer and unplug the power cord. Remove anything on top of the host computer case. Detach cables as necessary to allow access to the back of the computer system. Place attached equipment out of the way. Be sure to note how everything is attached so you can later reconnect the system.
2. Looking at the back of the computer, remove the top thumb screw (Figure 1) that holds the cover in place. Remove the computer cover and place it and the thumb screw out of the way.

Figure 1. Removing the Cover

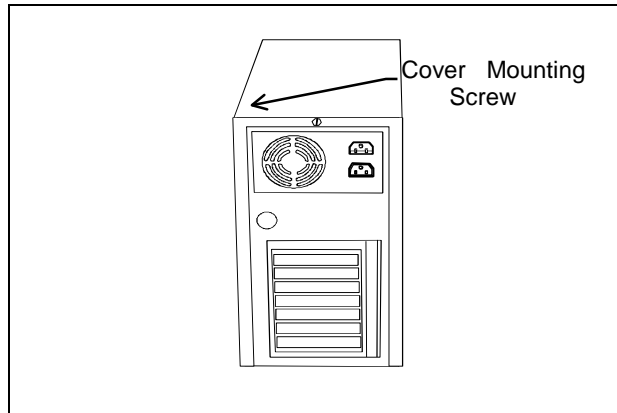


Figure 2. Internal Layout

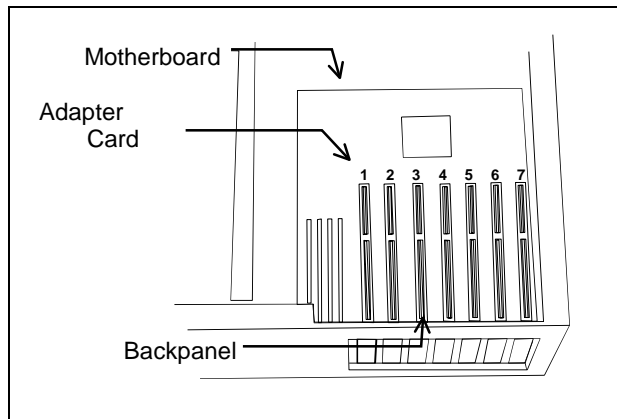
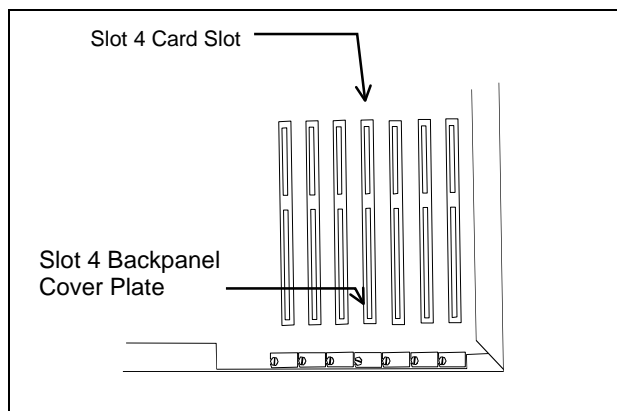


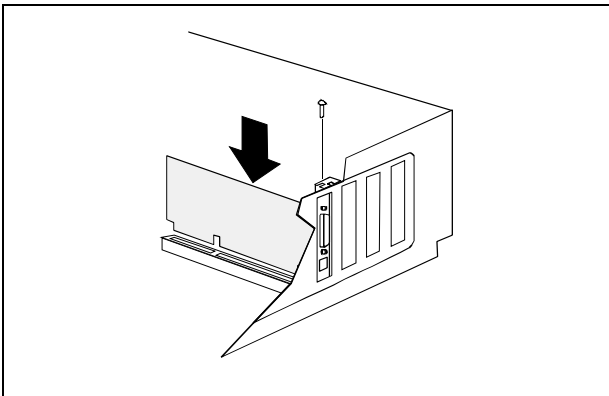
Figure 3. Locating Slot 4



3. Turn the opened computer on its side so the card area is facing up. Find the motherboard, adapter card slots, and backpanel (Figure 2).
4. Find slot 4's card slot and backpanel cover plate (Figure 3).
5. Remove the screw that attaches slot 4's cover plate to the backpanel. Keep the screw for use in a later step. Lift the cover plate out of the computer and set it aside.

6. Remove the LAN adapter card from its protective bag. Note the angle bracket on one end of the card. Its shape is similar to the cover plate just removed from the computer. You can hold the card by this bracket, which fits into the cover plate opening.
7. Align the LAN card parallel to the other cards in the computer with its angle bracket fitting into slot 4's cover plate opening. Move the card down until it aligns with slot 4's motherboard connector. Press down firmly on the top of the card until it is fully seated into the connector (Figure 4).

Figure 4. Inserting the LAN Card



8. Using the screw from the cover plate, tighten the angle bracket down until it is flush against the top of the backpanel. Do not over-tighten the screw.
9. Connect the customer's token ring attachment cable to the card's RJ45 or DB9 connector. Choose the connector that matches the customer's wiring.
10. Place the host computer upright and attach the cover using the thumb screw which you removed earlier. Connect the power cord, video monitor cable, and any other cables that you removed earlier.
11. Turn on the power switch and allow the POS/EM Value system to restart. After re-booting, the modem driver software screen appears for a few seconds.
12. Next, the system displays two successive screens of the Sensormatic copyright notice, pausing a few seconds for each screen. Press **Ctrl + C** at any time during the copyright display to interrupt the loading process. Then press **Y** in response to the system message:

```
Terminate batch job (Y/N)?
```

After pressing **Y**, a DOS prompt appears, allowing LAN software installation to begin:

```
C:\>
```

If the copyright notice does not appear during system startup, check to make sure the POS/EM application software has been installed.

Installing the LAN Adapter Software

If POS/EM Value software has not been installed, the following message will appear when you start the LAN software installation process. Install the POS/EM Value software before continuing.

```
INSTALLATION FOR TOKEN RING OPTION ABORTED!
Reason: Generic PV system not installed yet.
Action: Please start installation with POS/EM VALUE Diskette.
```

The token ring software installation process provides screen messages to direct each step of the operation. These steps are summarized below:

1. Insert the Token Ring Option installation diskette into the POS/EM Value host computer's floppy drive.
2. Type **A:INSTALL** and press **Enter** to begin the installation process. An introductory screen will appear, followed by an instruction to:
Press any key to continue . . .

Press **Enter** or any other key to continue.

To terminate the installation, press **Ctrl + C**.

3. A list of instructions appears. You will need this information later in the installation process:
 1. At the Main Menu, choose Change Adapter Configuration or Manual Setup.
 2. For I/O Address, choose A20-A3Fh or A20-A23 & 300 - 30Fh.
 3. For Interrupt, choose IRQ 5.
 4. For DMA Channel, choose DMA 5.
 5. For Ring Speed, choose the speed that is applicable to the network being monitored (usually 4Mbps).
 6. For RPL Boot Address choose Disabled, or for RPL ROM address choose No RPL ROM present.
 7. Press F10 to accept the configuration choices.
 8. Choose Exit, if prompted answer Yes to Exit.
 9. If prompted to Reboot, choose No.

Press **Enter** or any other key to continue.

You may receive either a Version 5 or a Version 6 card. These versions present different setup choices, as explained in the following steps.

Messages appear, showing that five files have been copied. Then, the following message appears:

```
REMOVE FLOPPY DISK AND REPLACE WITH THE
INTEL TOKEN-EXPRESS LAN ADAPTER DISK #1
THAT WAS SHIPPED WITH THE ADAPTER CARD
```

- Remove the installation diskette and insert the Intel driver diskette that comes with the card. Then press **Enter**. One of the following Main Menu windows appears:

Version 5 Software	Version 6 Software
<p style="text-align: center;">Main Menu</p> <p>Automatic setup Manual setup View current configuration Load configuration from file Exit</p>	<p style="text-align: center;">Main Menu</p> <p>Automatic Setup Change adapter configuration View adapter configuration Install network drivers Save/Load adapter configuration View help files Exit TokenSet</p>

- Select the second option, **Manual setup** (V5 software) or **Change adapter configuration** (V6 software). One of the following menu windows appears:

Version 5 Software	Version 6 Software
<p style="text-align: center;">Manual setup</p> <p>I/O address A20-A23 & A30-A3F Interrupt 5 (XT and AT) DMA channel DMA 5 Ring speed 4Mbps RPL ROM address No RPL ROM present</p>	<p style="text-align: center;">Change adapter configuration</p> <p>I/O address A20-A3Fh Interrupt 5 (AT only) Ring speed 4Mbps DMA channel DMA Channel 5 RPL boot address Disabled Enhanced options menu Reset to Factory defaults</p>

- Confirm that the settings are as shown above. Use the up/down cursor keys to move between lines and the **Enter** key to select a parameter to be changed. **If the customer's network operates at 16Mbps, set Ring speed to 16mbps.**
- Press **F10** to return to the Main Menu.
- Choose **Exit** or **Exit TokenSet** and press **Enter**. If asked do you wish to exit, press **Y** or choose **Yes**.
- If a message appears, asking if you wish to re-boot now, press **N** or choose **No**. The following message appears:

```
REMOVE FLOPPY DISK AND REPLACE WITH THE
TOKEN RING OPTIONS DISKETTE
Press any key to continue . . .
```

- Remove the Intel driver diskette and insert the Token Ring Option diskette that was removed in step 5. Then press **Enter** or any other key. After final installation activities complete, the following message appears:

```
CONFIGURATION COMPLETED, REMOVE
OPTIONS DISKETTE FROM FLOPPY DRIVE
THEN REBOOT THE POS/EM VALUE SYSTEM
```

- This completes the token ring software installation process. Remove the Token Ring Options diskette and press **Ctrl + Alt + Delete** to re-boot the system.