

## Parts Required

This kit, P/N 0351-1643-01, provides components, software, and instructions for installing a Ethernet PCI LAN adapter into a network-based POS/EM Value system. Install this kit only in combination with a token ring LAN adapter; the Ethernet LAN adapter cannot stand alone.

Description	Qty.	Part No.
PCI Adapter, Intel EtherExpress PRO/10+ with Intel Configuration and Driver diskette, Release 2.51	1	2025-0293-01
Telxon Ethernet Wireless Option version 1.0 diskette	1	0701-2819-0100
Installation instructions (this document)		8000-2619-01

The software diskettes used in this installation contain licensed materials from Sensormatic Electronics Corporation and Intel Corporation.

## Installing the Network Adapter Card



**WARNING - SHOCK HAZARD**  
Disconnect the POS/EM Value System's AC power before starting to install this equipment. Failure to do so could shock you and may damage the computer or the adapter card.



**WARNING - STATIC SENSITIVE COMPONENTS**  
Follow proper handling procedures to prevent component failure.

1. Turn off the POS/EM Value host computer and unplug the power cord. Remove anything on top of the host computer case. Detach cables as necessary to allow access to the back of the computer system. Place attached equipment out of the way. Be sure to note how everything is attached so you can later reconnect the system.
2. Looking at the back of the computer, remove the top thumb screw (Figure 1) that holds the cover in place. Remove the computer cover and place it and the thumb screw out of the way.

Figure 1. Removing the Cover

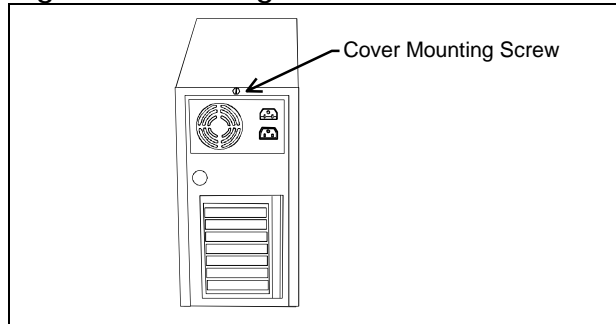


Figure 2. Internal Layout

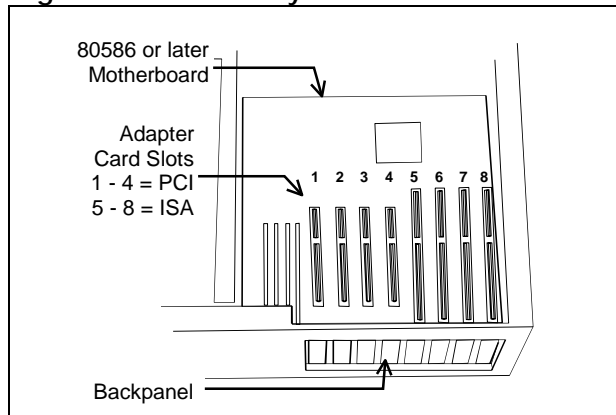
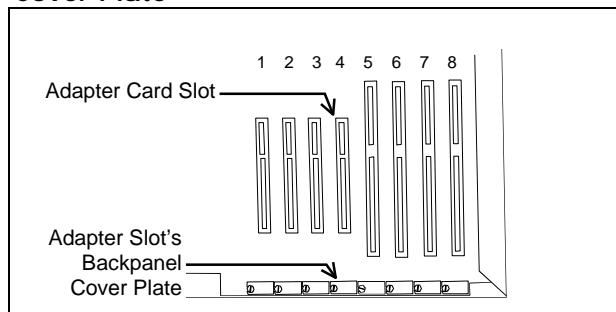


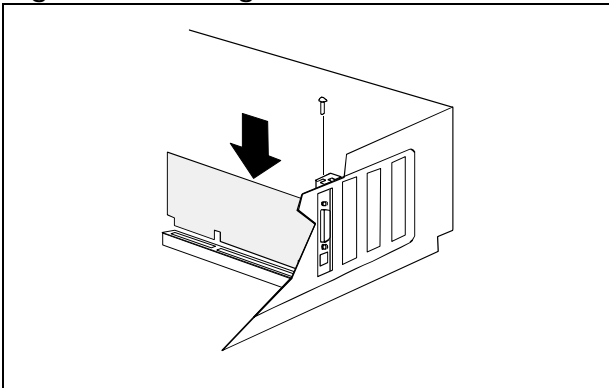
Figure 3. Locating Adapter Card Slot and Cover Plate



3. Turn the opened computer on its side so the card area is facing up. Locate the motherboard, adapter card slots, and backpanel (Figure 2).
4. Find slot 4's card slot and backpanel cover plate (Figure 3).
5. Remove the screw that attaches slot's cover plate to the backpanel. Keep the screw for use in a later step. Lift the cover plate out of the computer and set it aside.

6. Remove the LAN adapter card from its protective bag. Note the angle bracket on one end of the card. Its shape is similar to the cover plate just removed from the computer. You can hold the card by this bracket, which fits into the cover plate opening.
7. Align the LAN card parallel to the other cards in the computer with its angle bracket fitting into slot's cover plate opening. Move the card down until it aligns with slot's motherboard connector. Press down firmly on the top of the card until it is fully seated into the connector (Figure 4).

Figure 4. Inserting the LAN Card



8. Using the screw from the cover plate, tighten the angle bracket down until it is flush against the top of the backpanel. Do not over-tighten the screw.
9. Connect the customer's Ethernet attachment cable to the card's connector. Choose the connector that matches the customer's wiring.
10. Place the host computer upright and attach the cover using the thumb screw which you removed earlier. Connect the power cord, video monitor cable, and any other cables that you removed earlier.
11. Turn on the power switch and allow the POS/EM Value system to restart. After re-booting, the modem driver software screen appears for a few seconds.
12. Next, the system displays two successive screens of the Sensormatic copyright notice, pausing a few seconds for each screen. Press **Ctrl+C** at any time during the copyright display to interrupt the loading process. Then press **Y** in response to the system message:

```
Terminate batch job (Y/N)?
```

After pressing **Y**, a DOS prompt appears:

```
C:\>
```

You can now install the LAN adapter software.

If the copyright notice does not appear during system startup, check to make sure the POS/EM application software has been installed.

## Installing the LAN Adapter Software

**Note:** If the token ring software has not been installed, install it first using the procedures in the POS/EM Value Installation and Service Manual, 8000-0958-01; then install the Ethernet software.

**Note:** This software installation is applicable for POS/EM Value systems version 1.40 or later.

The Ethernet software installation process provides screen messages to direct each step of the operation. These steps are summarized below:

1. Insert the Telxon Ethernet Wireless Option 1.0 diskette into the POS/EM Value host computer's floppy drive.
2. Type **A:INSTALL** and press **Enter** to begin the installation process. An introductory screen will appear, followed by an instruction to:

```
Press Ctrl+C
Press any key to continue . . .
```

Press **Enter** or any key to continue.

To terminate the installation, press **Ctrl+C**.

3. The following message appears on the screen.

```
Install PCI Type Adapter (Yes/No)
```

Press **Y**, press **Enter**. The following message appears:

```
Install PCI Adapter
Please remove the Option Diskette and
Insert Intel EtherExpress PRO/10+ PCI LAN
Adapter
Configuration and Driver Disk (SW Release 2.51)
```

```
Press any key to continue . . .
```

- Remove the Option diskette and insert the Intel driver diskette. Then press **Enter** or any key to continue. The Main Menu will appear.

```

Main Menu
Automatic setup
View adapter configuration
Test adapter
Install network drivers
View help files
Exit setup

```

- Use the arrow keys to move the cursor to **View adapter configuration** and press **Enter**. The following screen appears.

```

View adapter
Adapter type          Pro/10+ PCI
Adapter part numbers nnnnnn-nnn*
Network address
                    nnnnnnnnnnnn
*
Interrupt            9 (or 11)
Bus:                  PCI Bus 0
Slot:                 16
Device                10h
Network speed        No cable
Duplex                half

```

Press Enter to continue

\* = values provided by the computer

- Confirm the following setting:  
**Interrupt = 9 (or 11)**  
Press **Enter** or **Esc** to return to the main menu, then move the cursor to **Exit setup** and press **Enter**; press **Y** or choose **Yes** when the system asks if you want to exit from the setup now.
- Press **N** or choose **No** when the system asks if you want to restart the system now.
- After the PCI drivers are installed, the following message appears:

```

Remove Floppy Disk and Replace with the
Telxon Ethernet Wireless Option 1.0 Disk

```

Press any key to continue . . .

Remove the Intel diskette and insert the Option diskette. Then press **Enter** or any key to continue.

- The program installs the common files and then displays the following message:

```
Is This a PV 1.40.1 or 1.40.2 system (Yes/No)
```

If this is a POS/EM Value version 1.40.1 or 1.40.2 System, press **Y** and then press **Enter**. For any other version, press **N** and then press **Enter**. The following message appears.

```

CONFIGURATION COMPLETED. REMOVE
OPTIONS DISKETTE FROM FLOPPY DRIVE
THEN REBOOT THE POS/EM VALUE SYSTEM

```

- Remove the diskette and press **Ctrl+Alt+Delete** to restart the system.

§

